

SL-T4234PTB120-L340

PHOTO TRANSISTOR

DATA SHEET

SPEC. NO. : SZ19081206
DATE : 2019/08/12
REV. : A/0

Approved By:

Checked By:

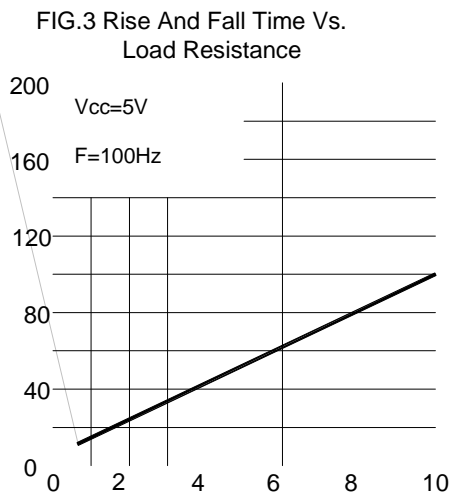
Prepared By:



Typical Electrical / Optical Characteristics Curves (25 Ambient Temperature Unless Otherwise Noted)

FIG.2 Power Dissipation Vs. Ambient Temperature

Ambient Temperature-°C





Label Explanation

LIGHT Universal Label

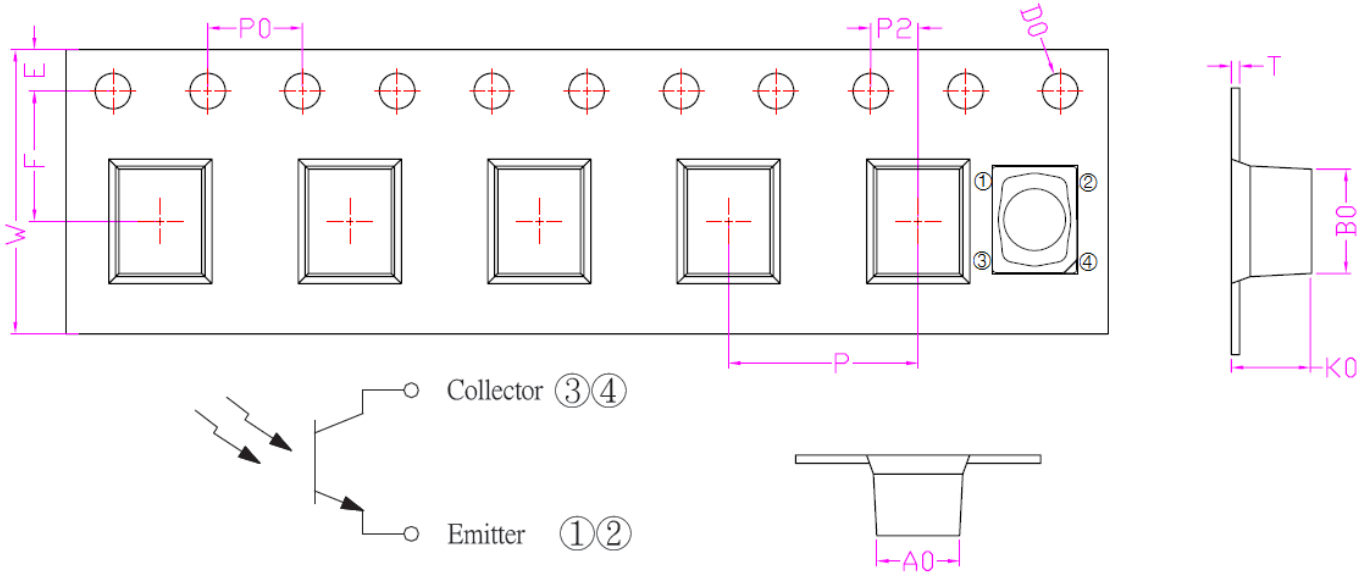
Customer Defined Label

LIGHT Light Electronics CO., LTD.	
MODEL NAME: _____	
QUANTITY: _____	
BIN: _____	
PACKING DATE: _____	
REMARKS: _____	



Carrier Tape Specifications (Loaded Quantity: 2200pcs/reel)

ITEM	REV.	NO.	DATE	BY	CHKD.	APP.	DATE	BY	CHKD.	APP.	DATE
001	01	12.02	2023	TLR	CSG	CSG	2023	CSG	CSG	CSG	2023
002	01	12.02	2023	TLR	CSG	CSG	2023	CSG	CSG	CSG	2023
003	01	12.02	2023	TLR	CSG	CSG	2023	CSG	CSG	CSG	2023
004	01	12.02	2023	TLR	CSG	CSG	2023	CSG	CSG	CSG	2023
005	01	12.02	2023	TLR	CSG	CSG	2023	CSG	CSG	CSG	2023
006	01	12.02	2023	TLR	CSG	CSG	2023	CSG	CSG	CSG	2023
007	01	12.02	2023	TLR	CSG	CSG	2023	CSG	CSG	CSG	2023
008	01	12.02	2023	TLR	CSG	CSG	2023	CSG	CSG	CSG	2023
009	01	12.02	2023	TLR	CSG	CSG	2023	CSG	CSG	CSG	2023
010	01	12.02	2023	TLR	CSG	CSG	2023	CSG	CSG	CSG	2023



Note: Tolerance unless mentioned is $\pm 0.1\text{mm}$; Unit = mm

Moisture Resistant Packaging

