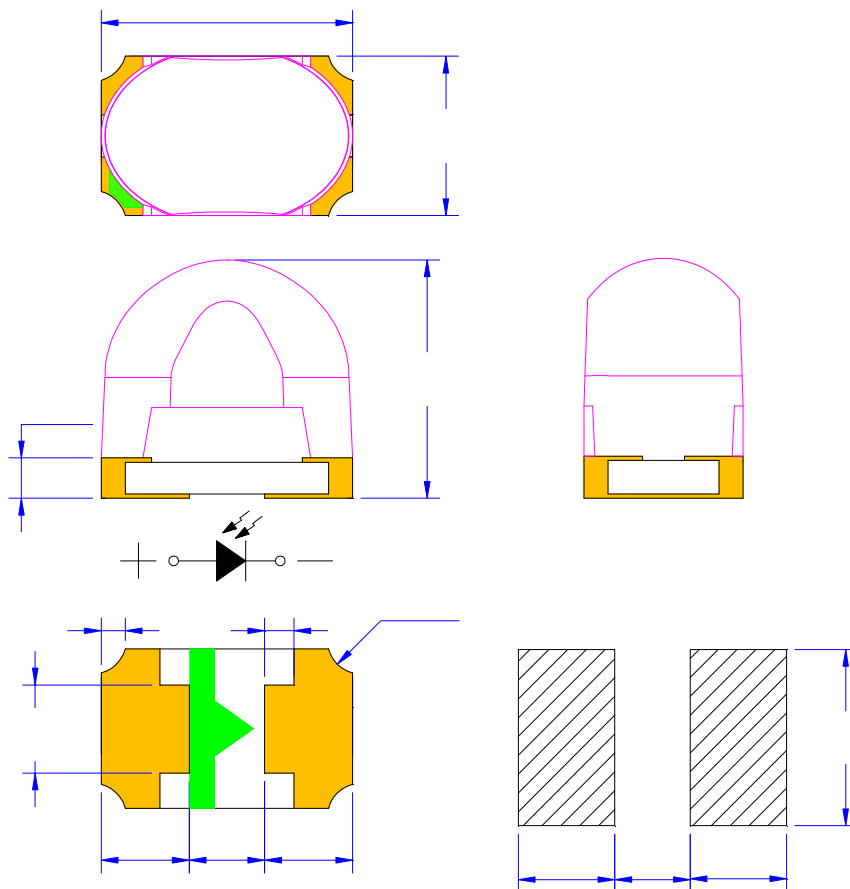


Features

- Pb free product—RoHS compliant
- High Photo Sensitivity
- Reliable and rugged
- Long life – solid state reliability
- Sensitivity angle: 90°

Package Dimension



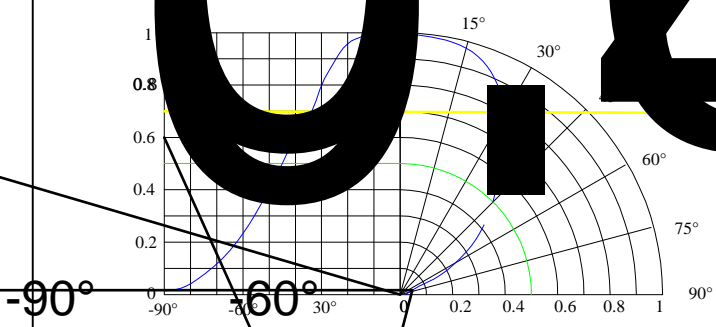
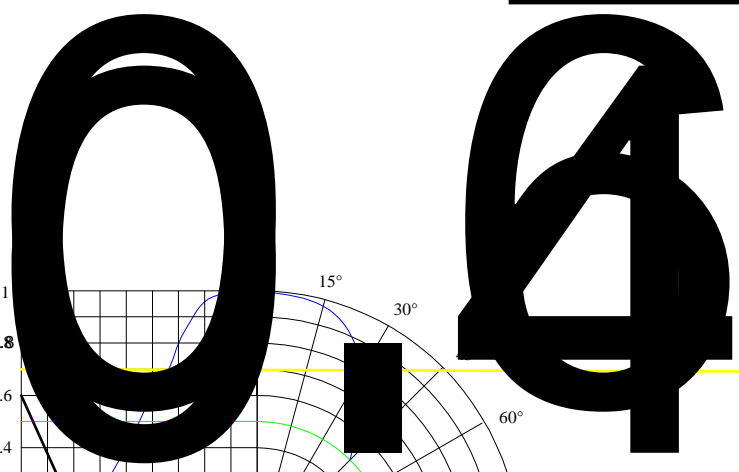
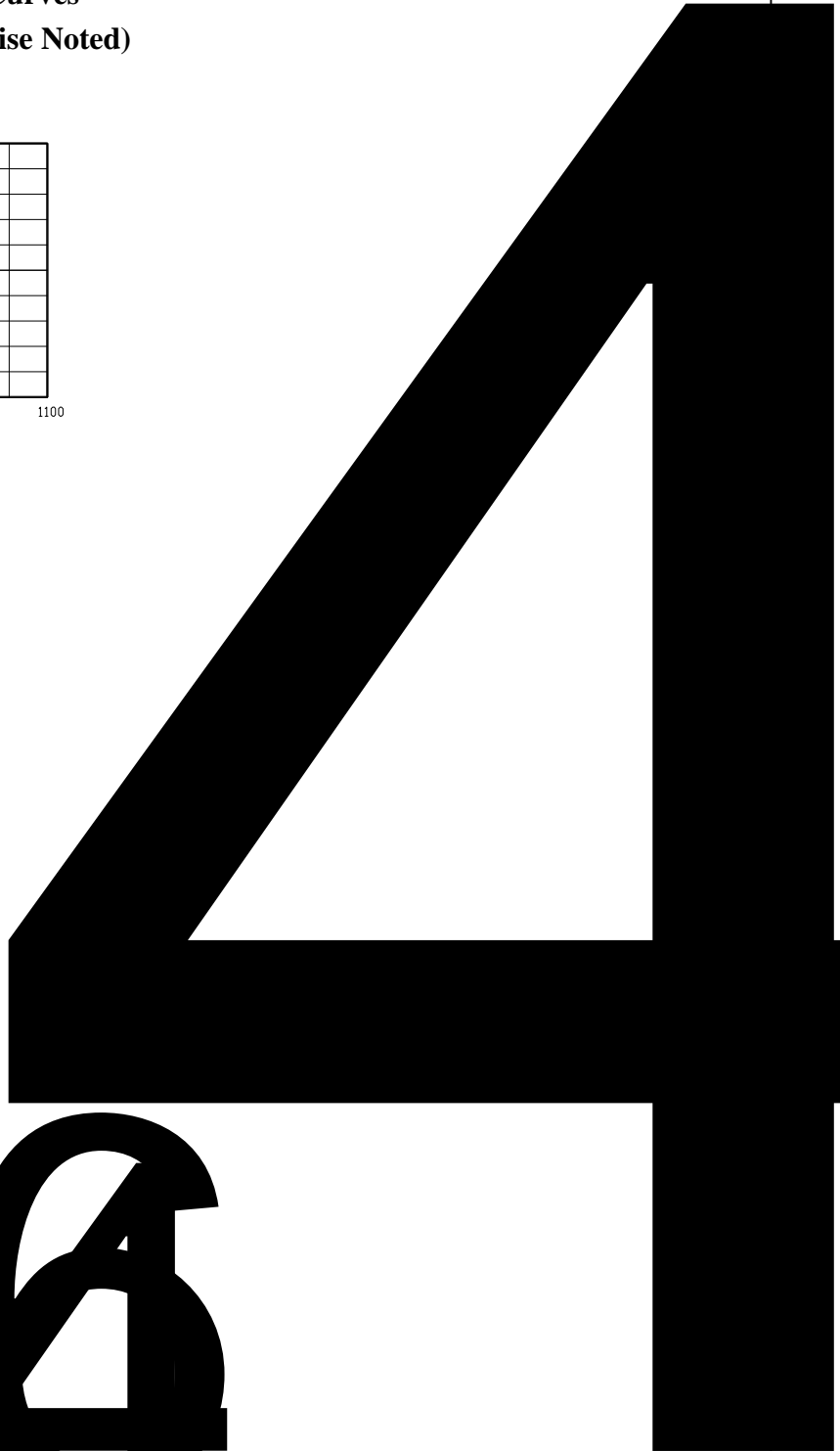
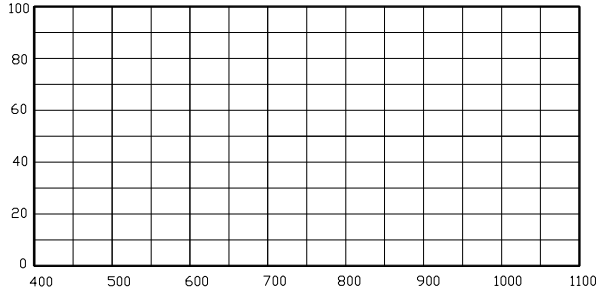
Part NO.	Chip Material	Lens Color
SL-T3020PDB020-L285-E-S	Silicon	Black

Notes:

1. All dimensions are in millimeters.
2. Tolerance is $\pm 0.10\text{mm}$ unless otherwise noted.
3. Specifications are subject to change without notice.



Typical Electrical / Optical Characteristics Curves (25 Ambient Temperature Unless Otherwise Noted)



Reverse Light Current(I_L) Bin Code ($V_R=5V$, $E_e=1mW/cm^2$)

BIN CODE	Min.(A)	Max.(A)

NOTE: The I_L guarantee should be added $\pm 15\%$ tolerance.

LI



Carrier Tape Specifications (Loaded Quantity: 5000pcs/reel)

Note: Tolerance unless mentioned is ± 0.1 mm; Unit = mm

Moisture Resistant Packaging

LI

LIQUID CRYSTAL DISPLAY