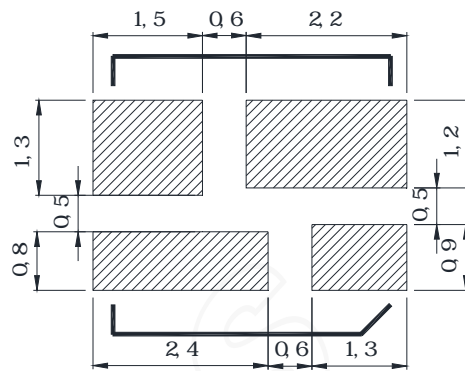
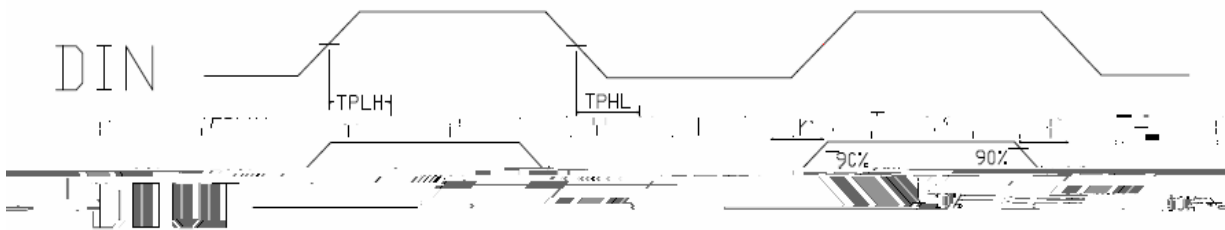


1	DIN		
2	VDD		
3	DOUT		
4	GND		

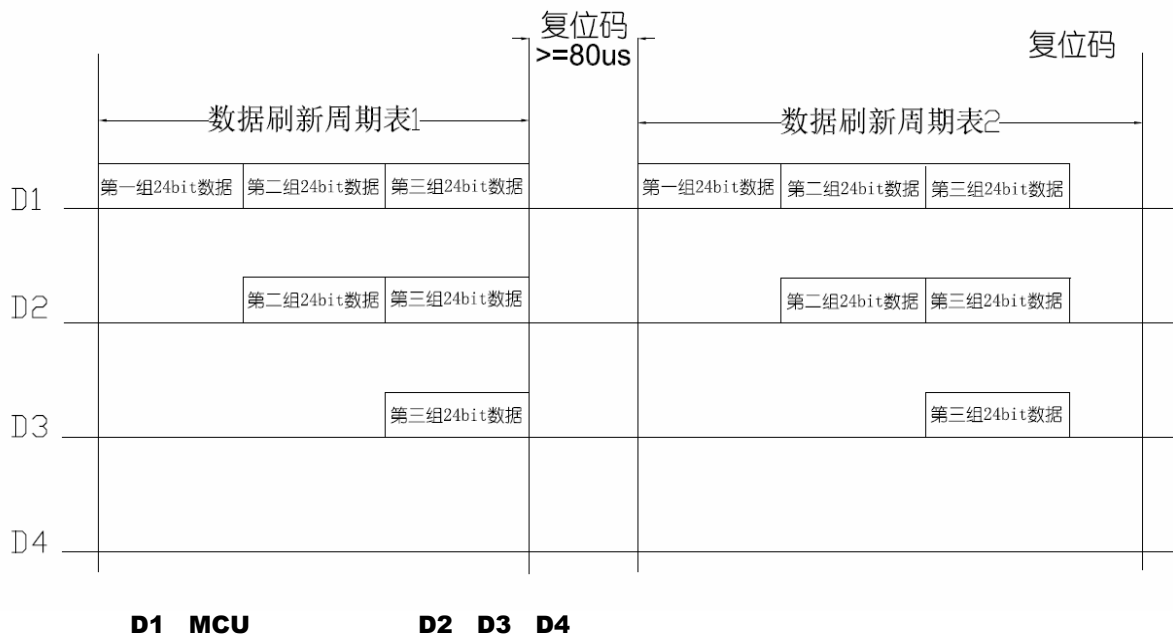
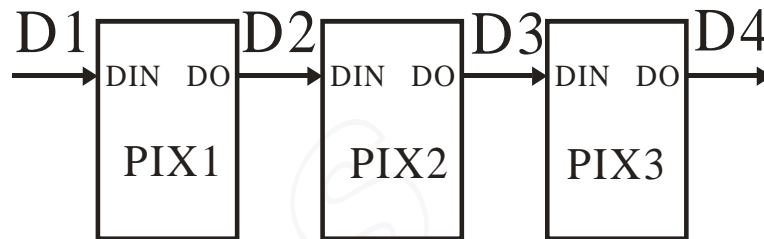
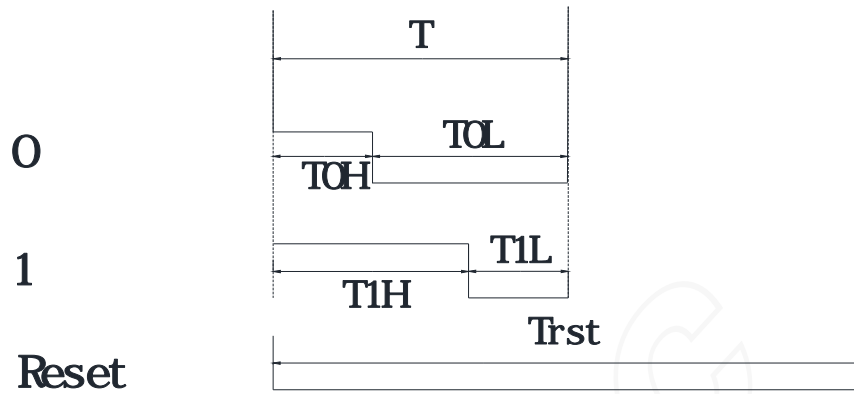


	fDIN	---	800	---	KHZ	67% 1
DOUT	T _{PLH}	---	---	500	ns	DIN→DOUT
	T _{PHL}	---	---	500	ns	
I _{out}	T _r	---	100	---	ns	V _{DS} =1.5V I _{OUT} =13mA I _{out} =5mA
	T _f	---	100	---	ns	



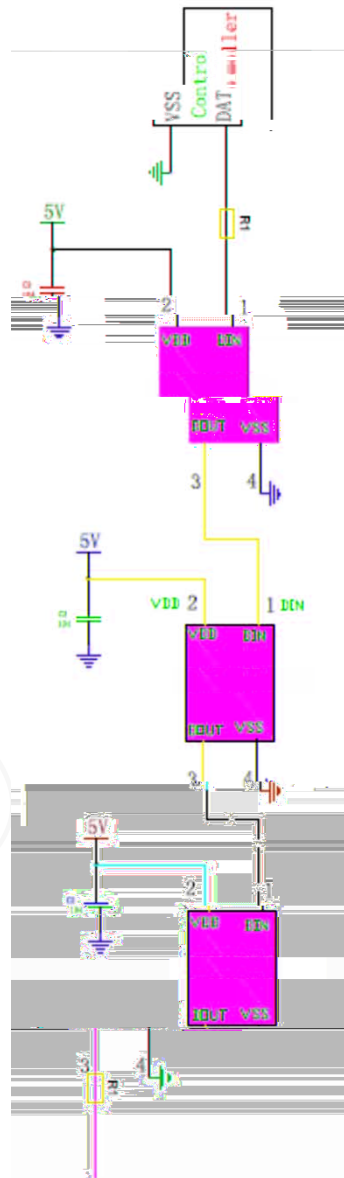
		Min.		Max.	
T		1.20	--	--	μs
T0H	0	0.2	0.3	0.4	μs
T0L	0	0.8	--	--	μs
T1H	1	0.58	0.64	1.0	μs
T1L	1	0.2	--	--	μs
Trst	Reset	>80	--	--	μs

1. "0" "1"
2. 1.2μs
3. "0" "1" 20μs.



G7	G6	G5	G4	G3	G2	G1	G0	R7	R6	R5	R4
R3	R2	R1	R0	B7	B6	B5	B4	B3	B2	B1	B0

GRB (G7 → G6 →.....B0)

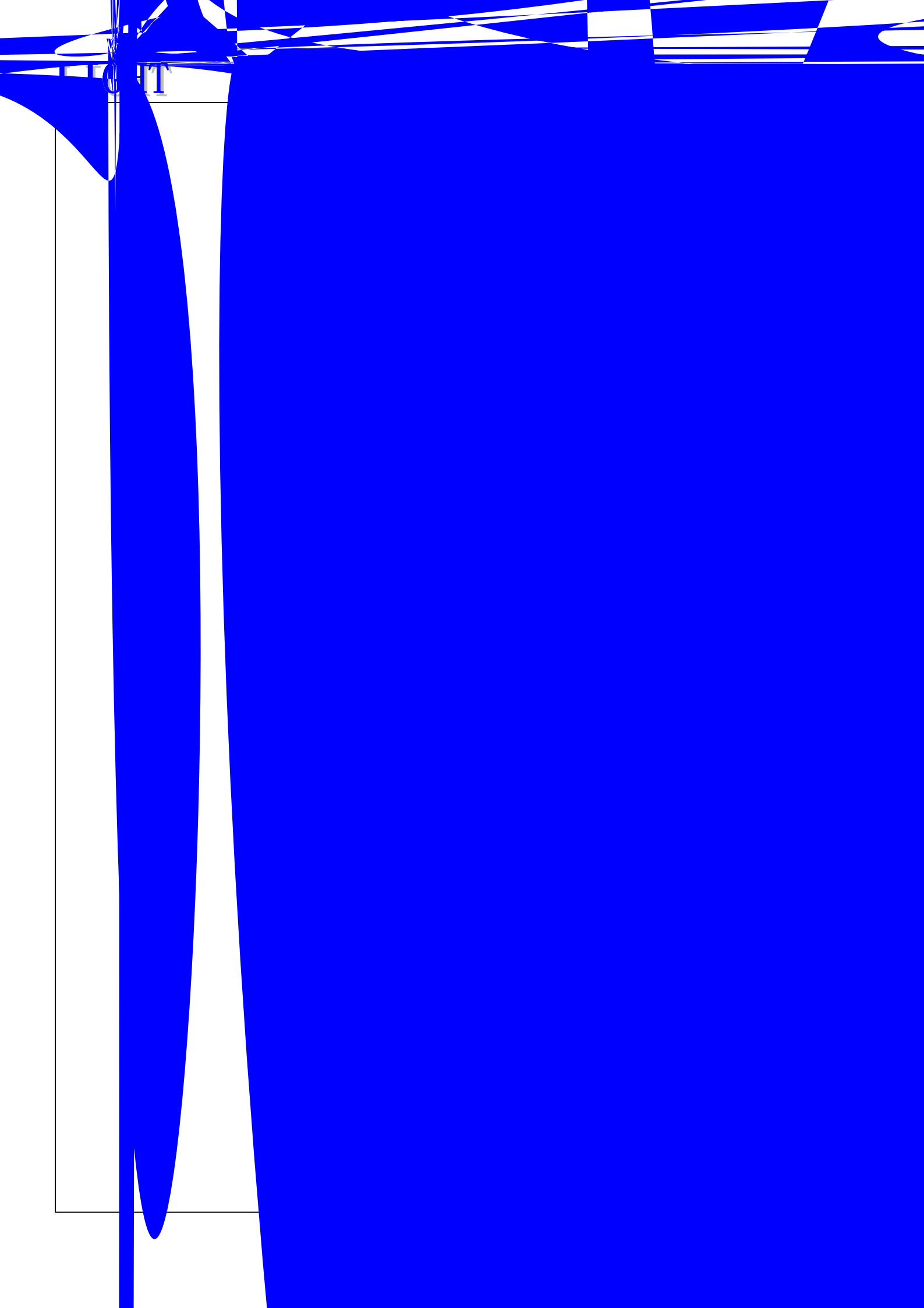


IC

IC

R1

500



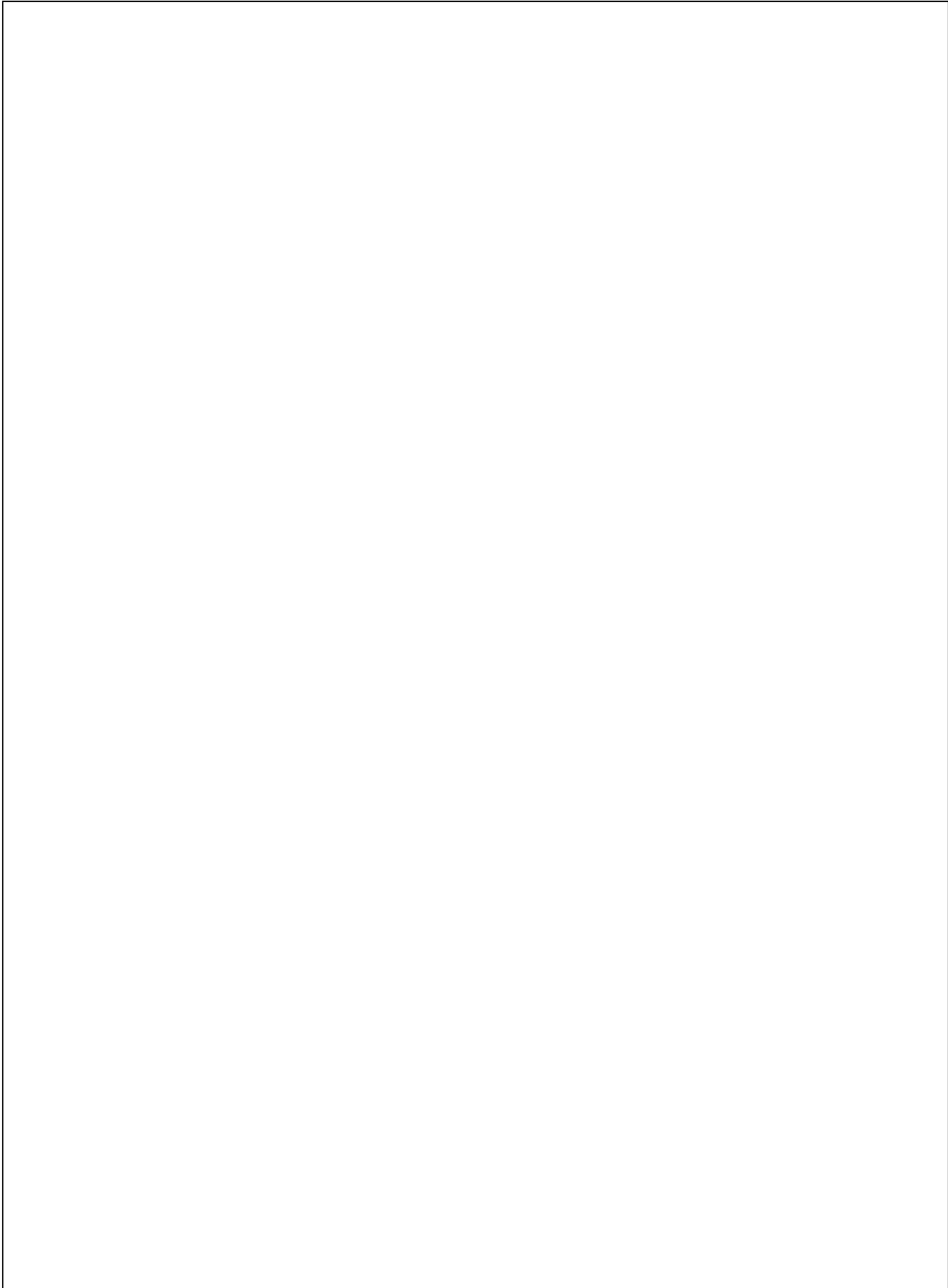


1		100 ± 5° C ~ -40° C ± 5° C 30min~30min 300cycles	MIL-STD-202G	0/22
2		Ta= +100°C 1000hrs	JEITA ED-4701 200 201	0/22
3		Ta= -40°C 1000hrs	JEITA ED-4701 200 202	0/22
4		Ta=60°C RH=90% 1000hrs	JEITA ED-4701 100 103	0/22
5		- 55°C~25°C~100°C~25°C 30min~5min~30min~5min 100 cycles	JEITA ED-4701 100 105	0/22
6		Tsld = 260° C, 10sec. 3 times	JEITA ED-4701 300 301	0/22
7		25° C, IF: Typical current , 1000hrs	JESD22-A 108D	0/22

	IV	DC=5V,	X0.7	---
	---	DC=5V,		

LIGHT

LIGHT ELECTRONICS CO., LTD.



LED SMT
TOP SMD <30

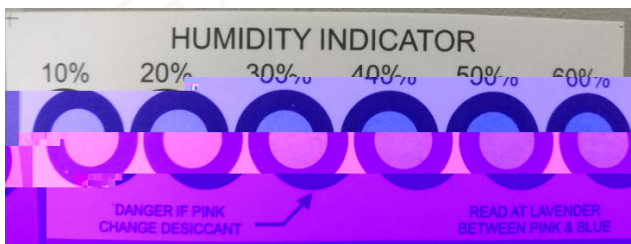
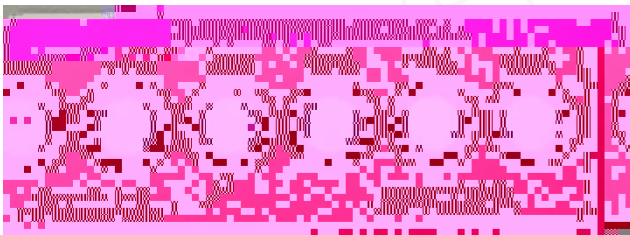
0.5H

PCB

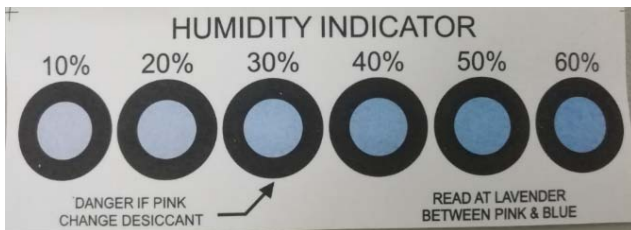
PCB SMT

TOP SMD LED

- a. 10% LED**
- b. 10% 20%**
- c. 10% 20% 30%**



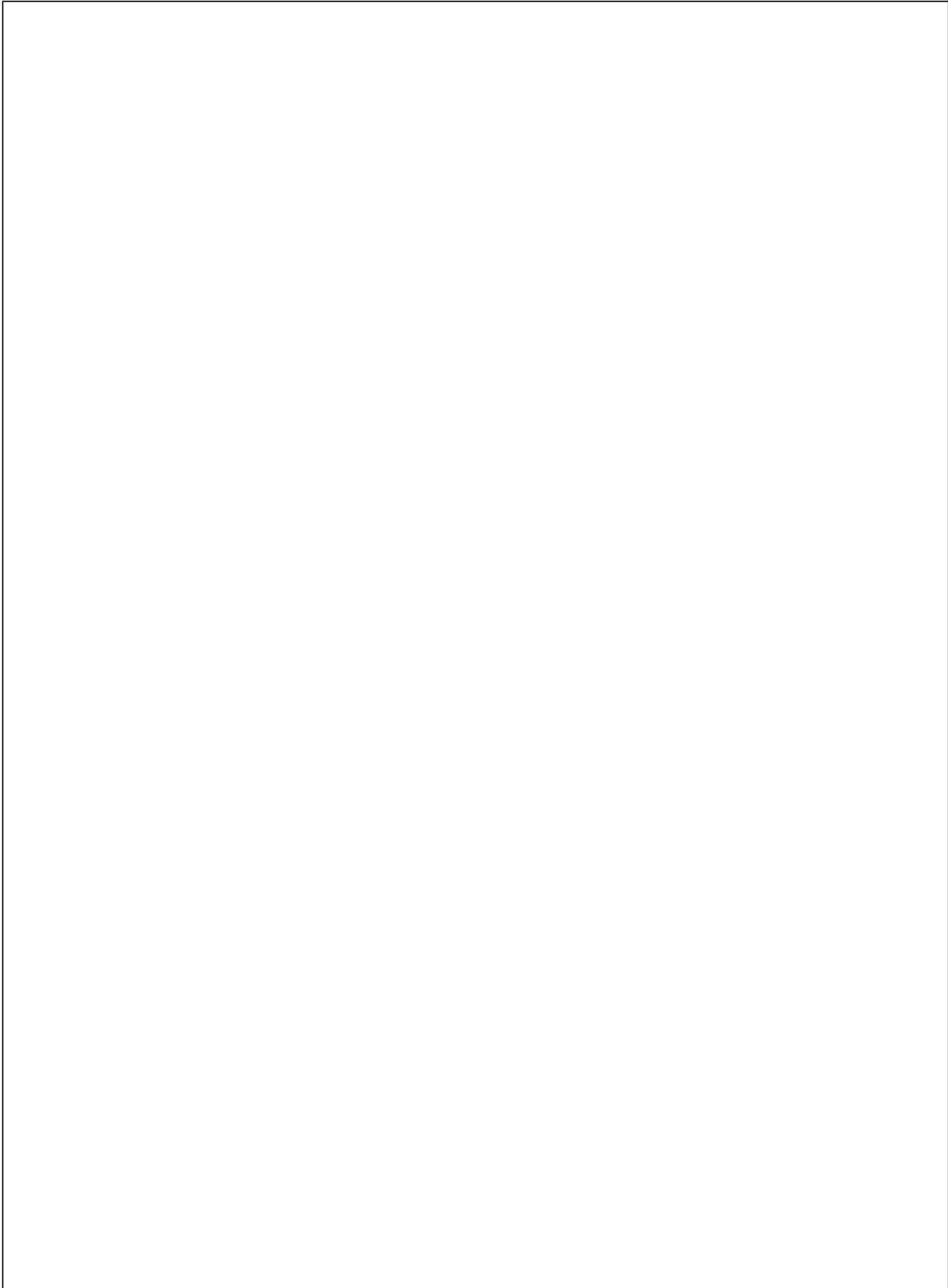
10% 20%



10% 20% 30%

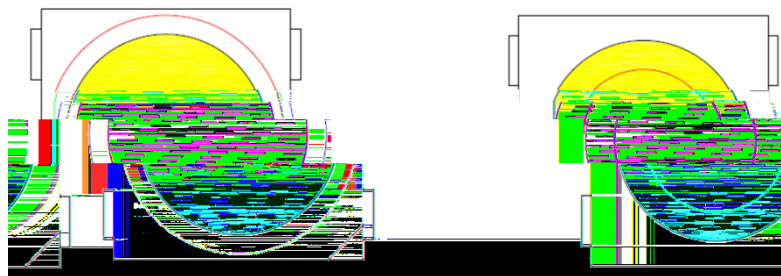
LIGHT

LIGHT ELECTRONICS CO., LTD.



x	p	
	i	
	x	
i	x	
p		

. SMT



PCB

LED

0.5T
LEDs

PCB

PCB

. LED LED PCB LED
. LED LED
. 60
. IC LED
. IC
. IC LED LED
. LED
. LED
LED LED
LED