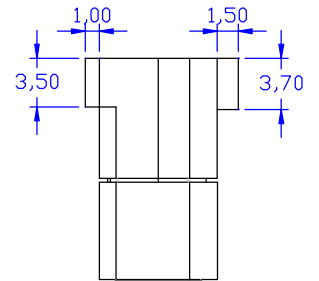
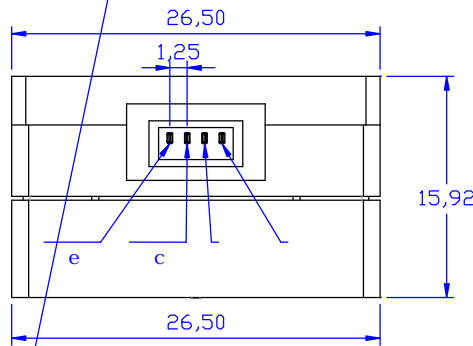
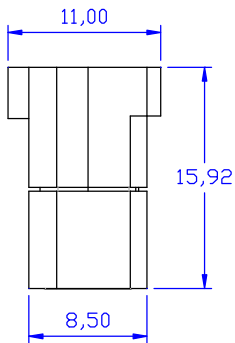
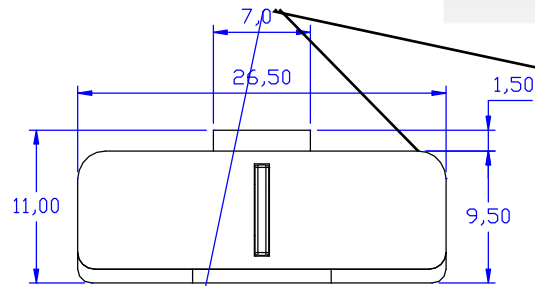
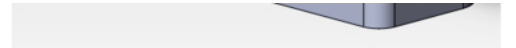
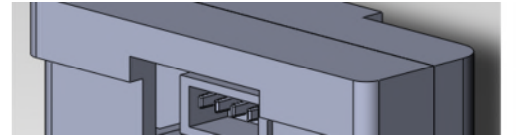


LT-GDM-02-F

Dimensions of Module



Notes:

I

Electrical Optical Characteristics at Ta=25

Peak Wavelength	p	---	940	---	nm	I

		---	15	---	μs	= 1K
		---	15	---	μs	