

## LG-03IR4C94C-302KW DATA SHEET

SPEC. NO. : SZ18080401  
DATE : 2018/08/04  
REV. : A/0

Approved By:

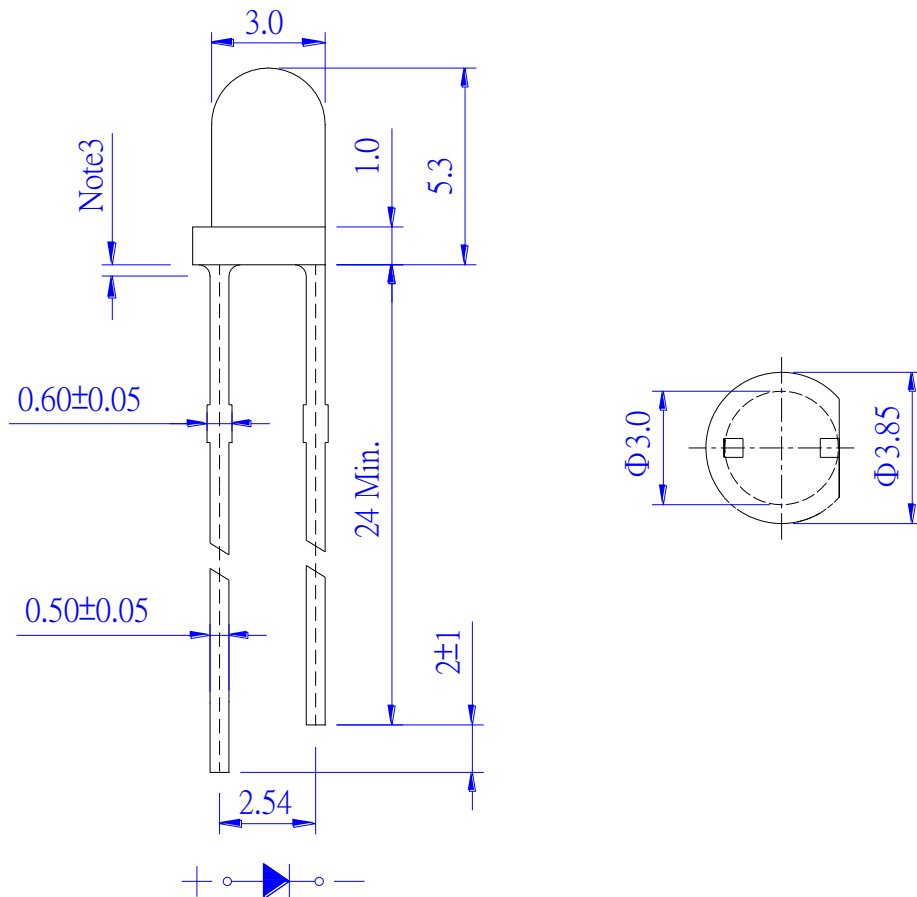
Checked By:

Prepared By:

## Features

- ◆ Pb free product    RoHS compliant
- ◆ Low power consumption, High efficiency
- ◆ General purpose leads
- ◆ Reliable and rugged
- ◆ Long life    solid state reliability
- ◆ Radiant angle: 30°

## Package Dimension

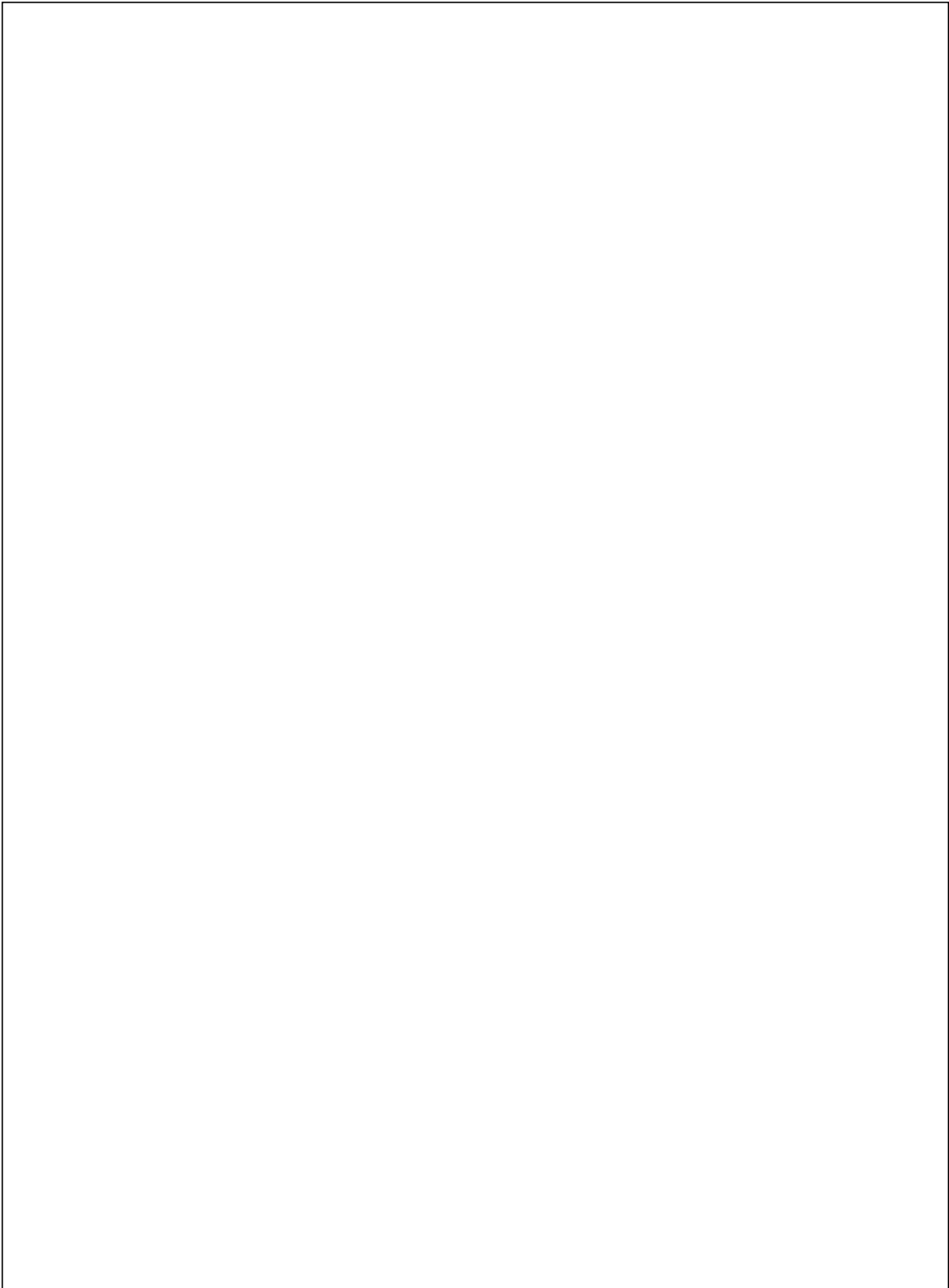


Part NO.	Chip Material	Lens Color
LG-03IR4C94C-302KW	AlGaAs	Water Clear

### Notes:

1. All dimensions are in millimeters.
2. Tolerance is ±0.20mm unless otherwise noted.
3. Protruded resin under flange is 1.0mm max.
4. Lead spacing is measured where the leads emerge from the package.

LIG



## Electrical Optical Characteristics at Ta=25°C

Parameter	Symbol	Min.	Typ.	Max.	Unit	Test Condition
Radiant Intensity	I <sub>e</sub>	25	35	51.8	mW/sr	I <sub>F</sub> =50mA (Note 1,3)
Viewing Angle	$\frac{1}{2}$	25	30	35	Deg	(Note 2)
Peak Wavelength		---	940	---	nm	I <sub>F</sub> =20mA
Spectral Line Half- Width		---	50	---	nm	I <sub>F</sub> =20mA
Forward Voltage	V <sub>F</sub>	---	1.25	1.5	V	I <sub>F</sub> =50mA
Reverse Current	I <sub>R</sub>	---	---	100	μA	V <sub>R</sub> =5V

### Note:

1. Point sources of the amount of radiation per unit time in a given direction within the unit solid Angle radiated energy.
2.  $\frac{1}{2}$  is the off-axis angle at which the Radiant Intensity is half the axial Radiant Intensity.
3. The I<sub>e</sub> guarantee should be added ±15% tolerance.

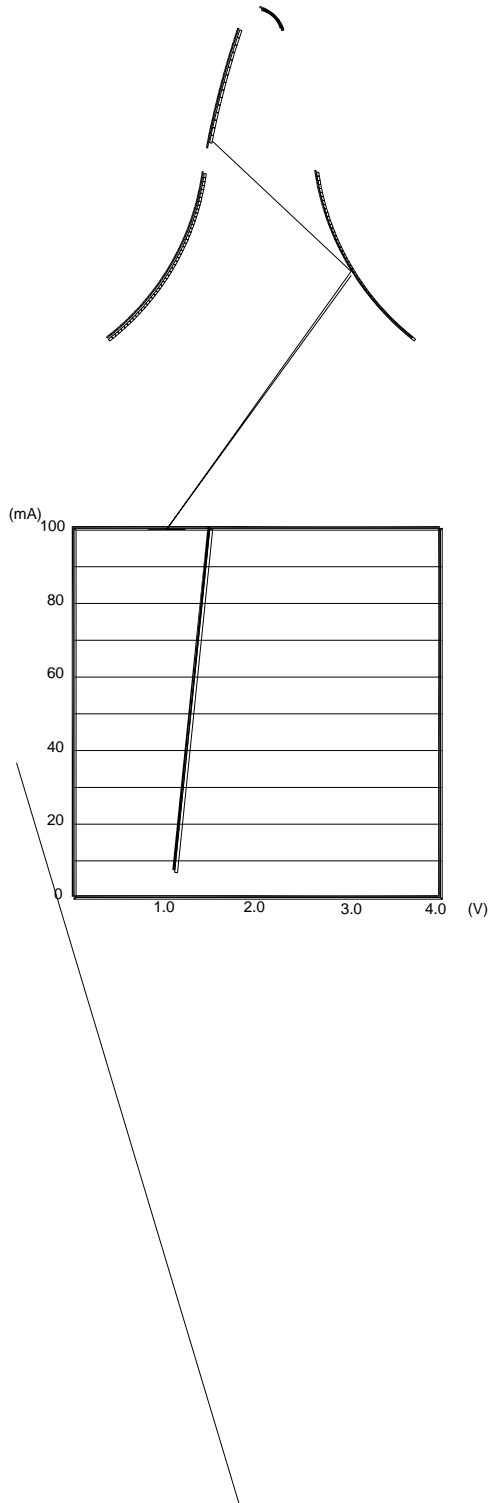
### Radiant Intensity Bin Code (I<sub>F</sub>=50mA)

BIN CODE	Min. (mW/sr)	Max. (mW/sr)
4	25	30
5-A	30	32.9
5-B	32.9	35.2
6	35.2	43.2
7	43.2	51.8

**NOTE: The I<sub>e</sub> guarantee should be added ±15% tolerance.**

保

## Typical Electrical / Optical Characteristics Curves (25°C Ambient Temperature Unless Otherwise Noted)



RIGHT

Part No. **LG-03IR4C94C-302KW**



TO

No. LG-0511-24C-302KW

B