

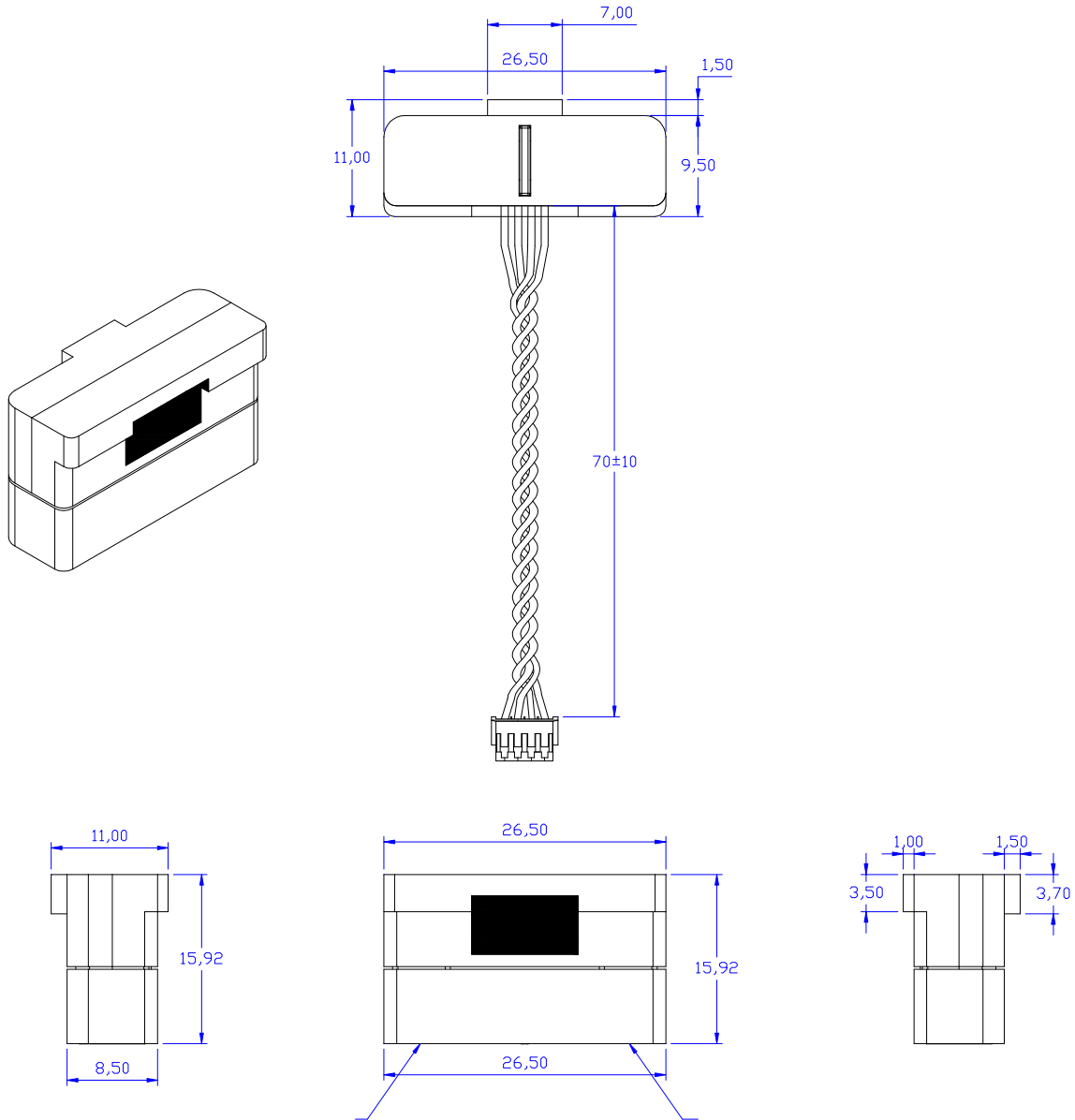
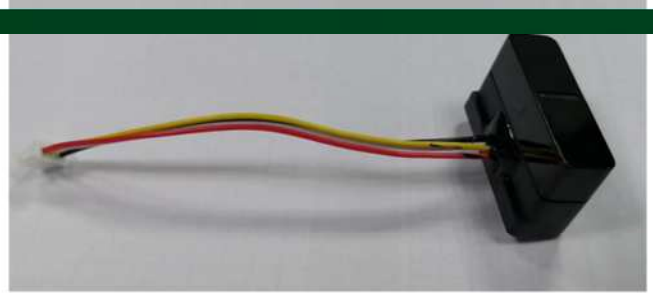
# LIGHT



—  
—  
—

--	--	--	--

### Dimensions of Module



#### Notes:

1. All dimensions are in millimeters.
2. Tolerance is  $\pm 0.50$ mm unless otherwise noted.
4. Specifications are subject to change without notice.

保潔



