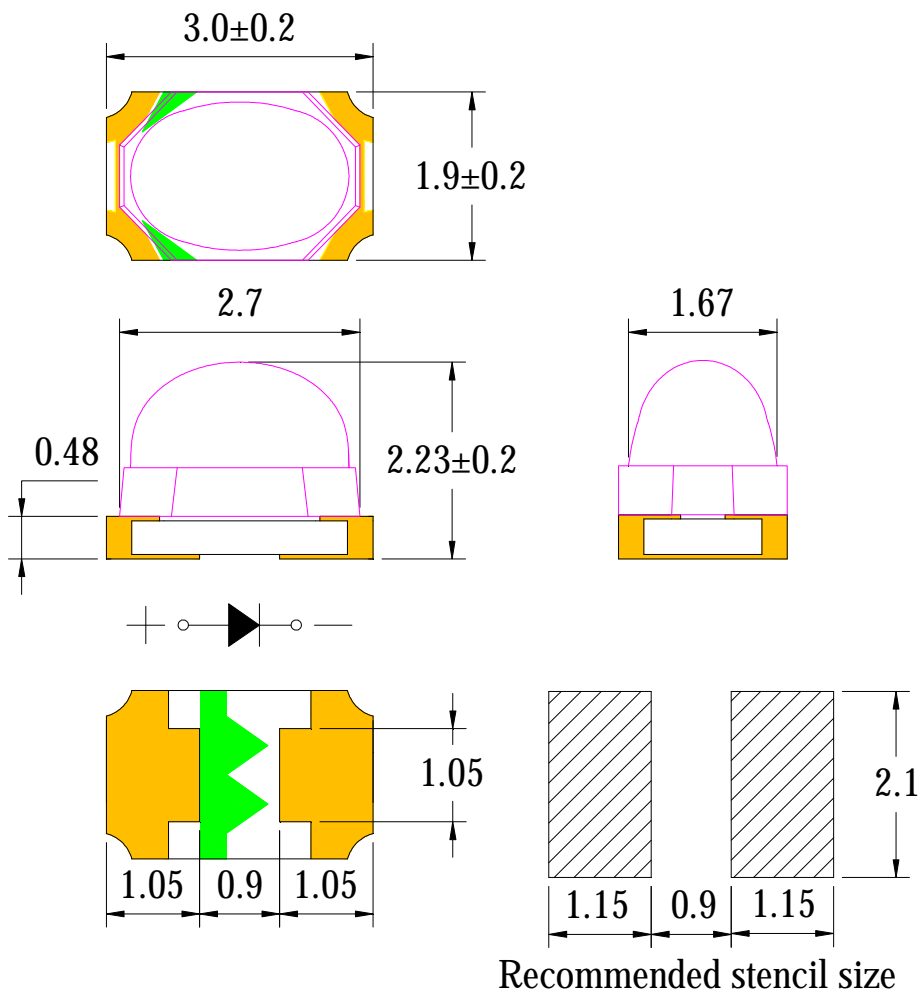




--	--	--	--





LIGHT ELECTRONICS CO., LTD.



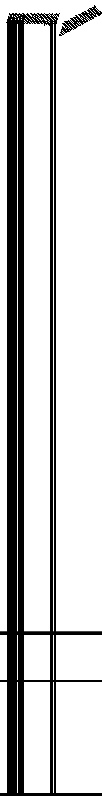
--	--	--	--



LIGHT ELECTRONICS CO., LTD

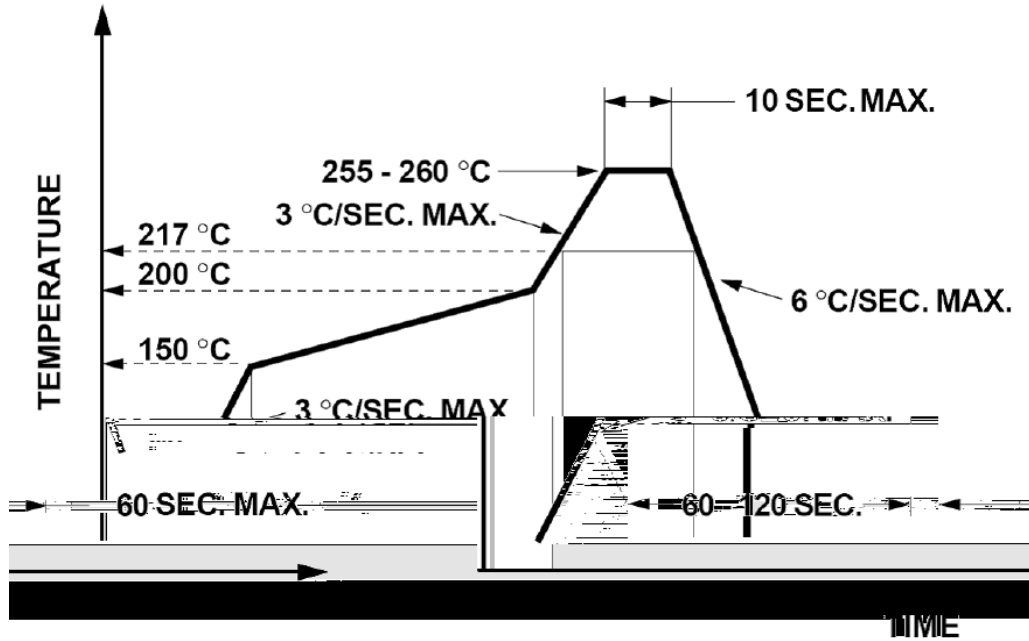
Carrier Tape Specifications (Loaded Quantity: 5000pcs/reel)

Moisture Resistant Packaging



--	--	--	--	--	--

Suggest IR Reflow Condition For Lead Free



Soldering iron

°C

Repairing

