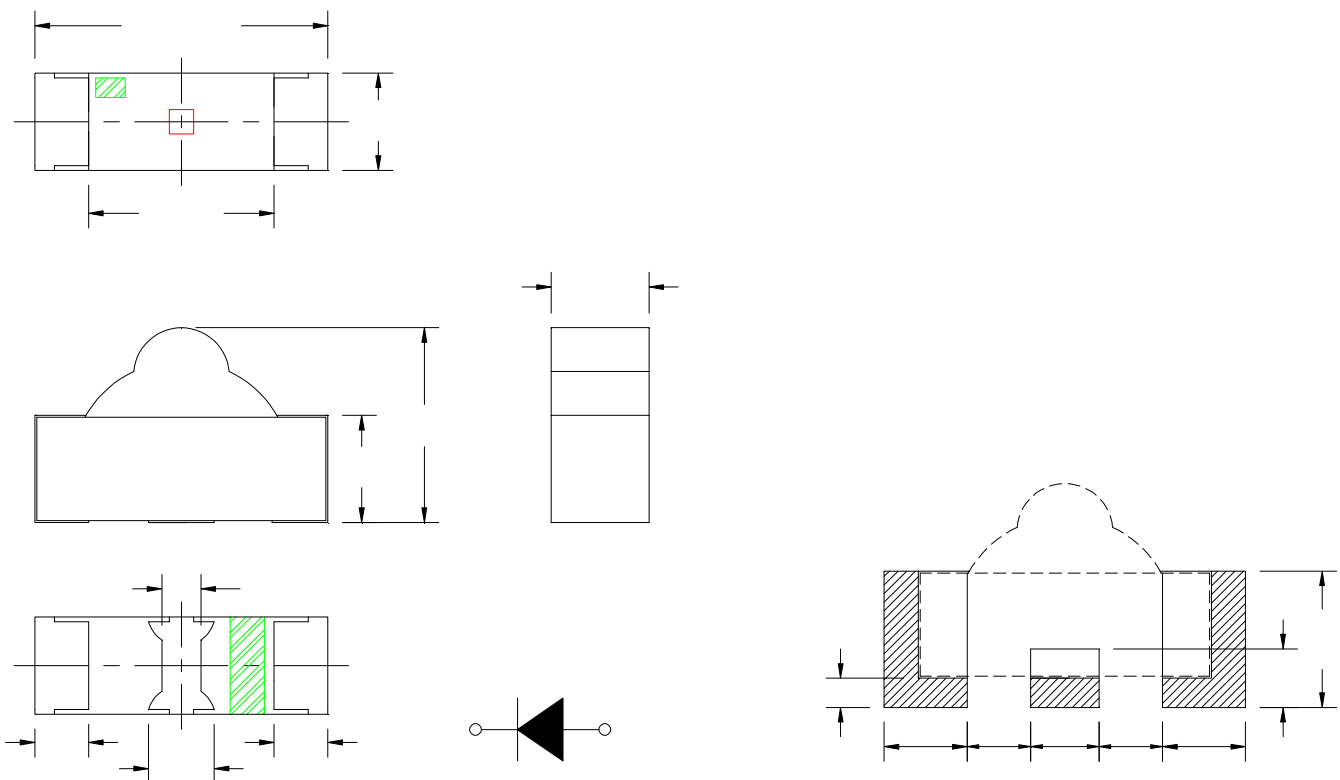


Features

- Pb free product—RoHS compliant
- Low power consumption, High efficiency
- Reliable and rugged
- Long life – solid state reliability
- Good spectral matching to Si photo detector

Package Dimension



| Part NO. | Chip Material | Lens Color |
|---------------------|---------------|-------------|
| SL-T3010IRC020-L200 | AlGaAs | Water Clear |

Notes:

1. All dimensions are in millimeters.
2. Tolerance is 0.10mm unless otherwise noted.
3. Specifications are subject to change without notice.



Radiant Intensity Bin Code ($I_F=20\text{mA}$)

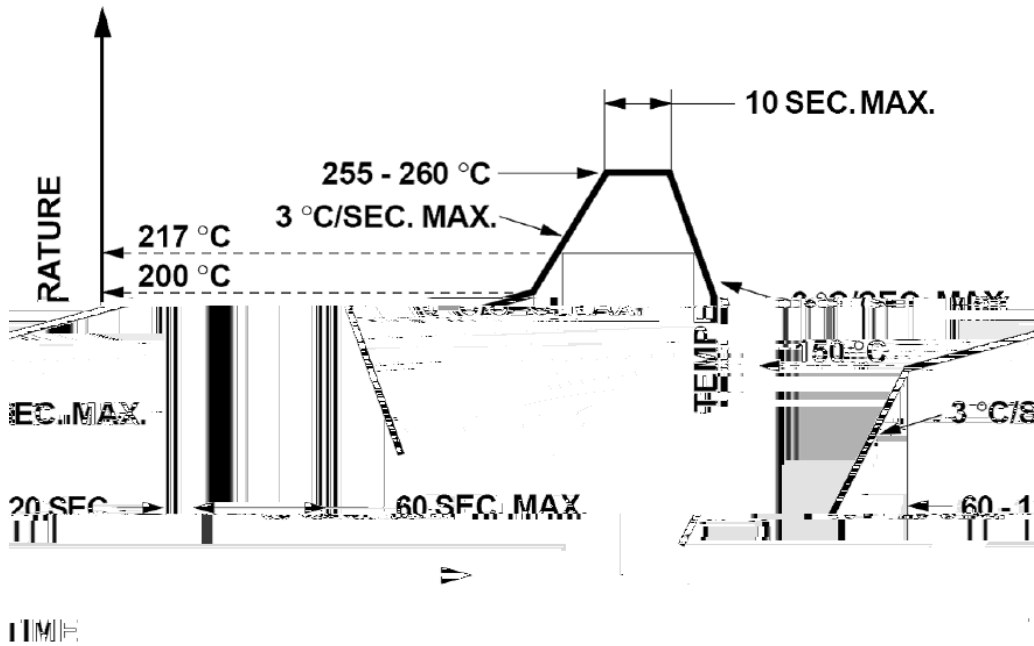
| BIN CODE | Min. (mW/sr) | Max. (mW/sr) |
|----------|--------------|--------------|
| 1 | 0.8 | 1.0 |
| 2 | 1.0 | 1.2 |
| 3 | 1.2 | 1.44 |
| 4 | 1.44 | 1.73 |
| 5 | 1.73 | 2.08 |

NOTE: The I_e guarantee should be added $\pm 15\%$ tolerance.

Part

SL-T3010IRC020-L200

Suggest IR Reflow Condition For Lead Free



1. Reflow soldering should not be done more than two times.
2. When soldering, do not put stress on the LEDs during heating.

Soldering iron

1. When hand soldering, the temperature of the iron must less than 350 for 3 seconds.
2. The hand solder should be done only once.

Repairing

Repair should not be done after the LEDs have been soldered. When repairing is unavoidable, a double-head soldering iron should be used (as below figure). It should be confirmed beforehand whether the characteristics of LEDs will or will not be damaged by repairing.

