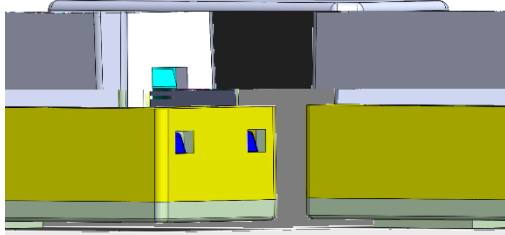


# MX0400

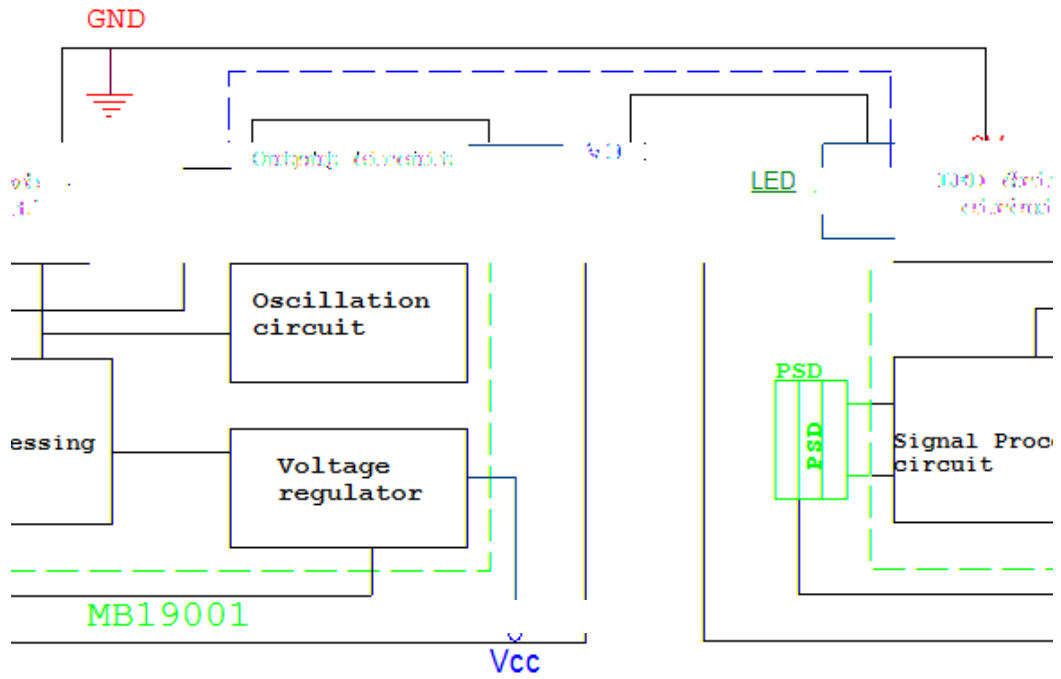


## Description

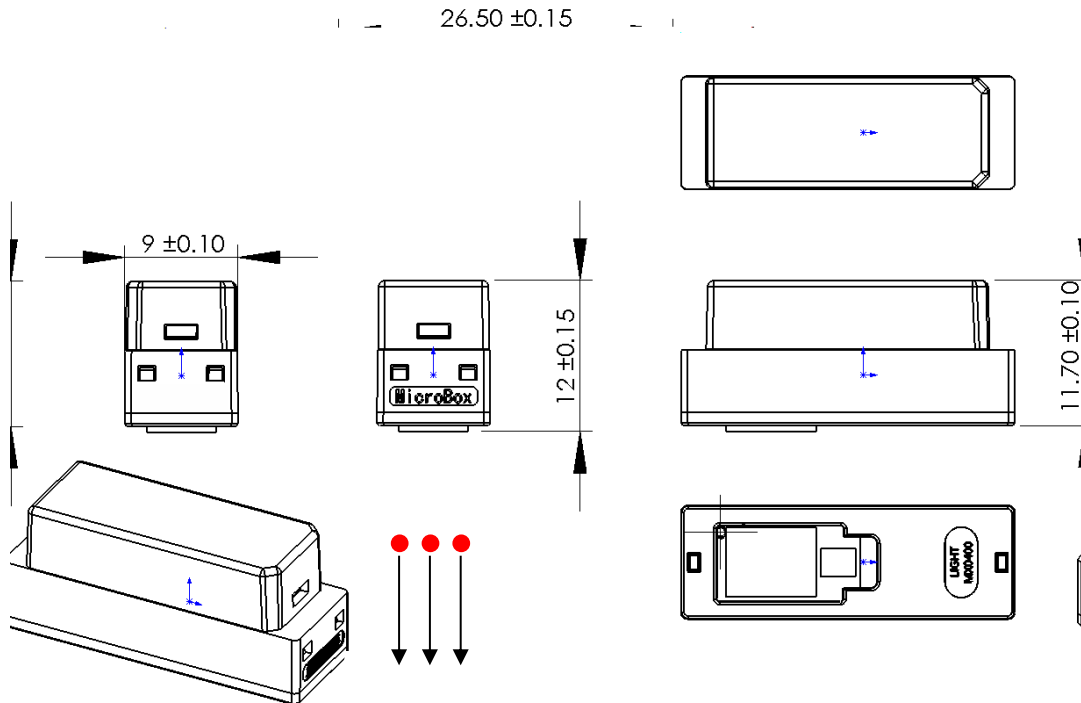
## Applications

## Features

Schematic



Outline



pin	Note
Vcc	4.5V-5.5V
GND	NA
Vo	0-2.5V

### Absolute maximum ratings

Supply voltage	Vcc	0 to +6.8	V
Output terminal Voltage	Vo	-0.3 to +0.3	V
Operating temperature	Topr	-10 to +60	°C
Storage temperature	Tstg	-40 to +70	°C

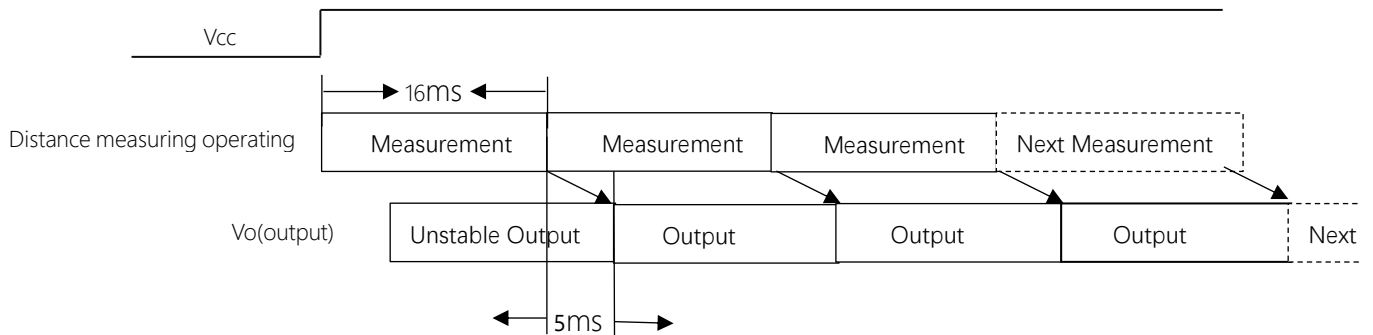
### Operating supply voltage

Vcc	4.5 to 5.5	V

### Electro-optical characteristics

Measuring distance range		NA	15		150	mm
Output terminal Voltage	Vo	L=20mm		1.81		V
Output voltage difference		15mm-150mm	0.94		2.1	V
Average supply current	Icc	L=150mm		10		mA

### Timing charting







Model for the optics

• Lenses of this device shall be kept clean'. (here are cases that dust, water or oil and so on deteriorate the characteristic)

characteristic

(c)-13.9888(hi)0.727 5 50 60ei e t7876 9 Om 9 8 (7876 9 O0723 (f)7.706 6 1 ( )-3.3548(e) 10.1 127( )-1 5d3 6 1

che tr stte  
e eof

