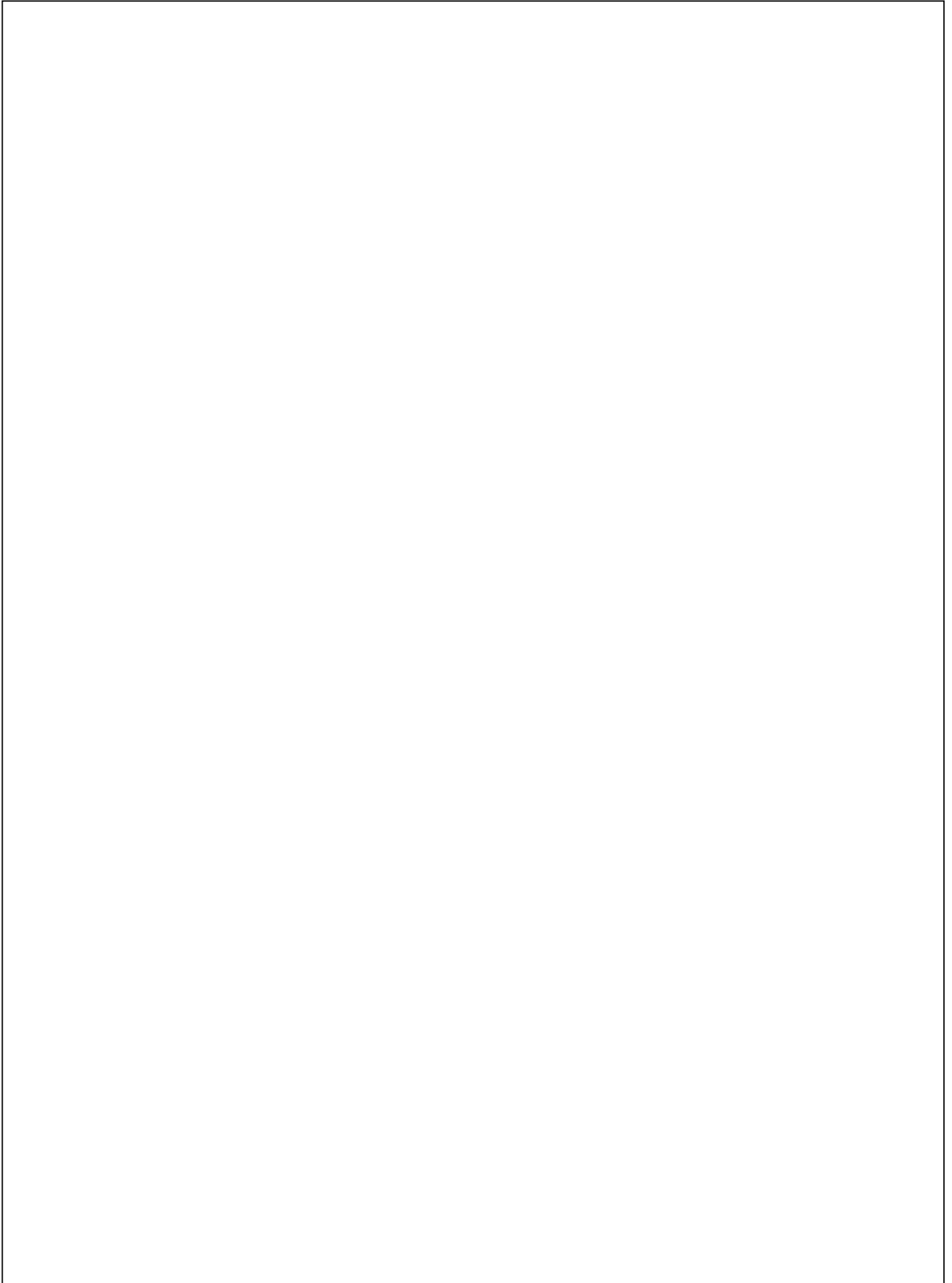
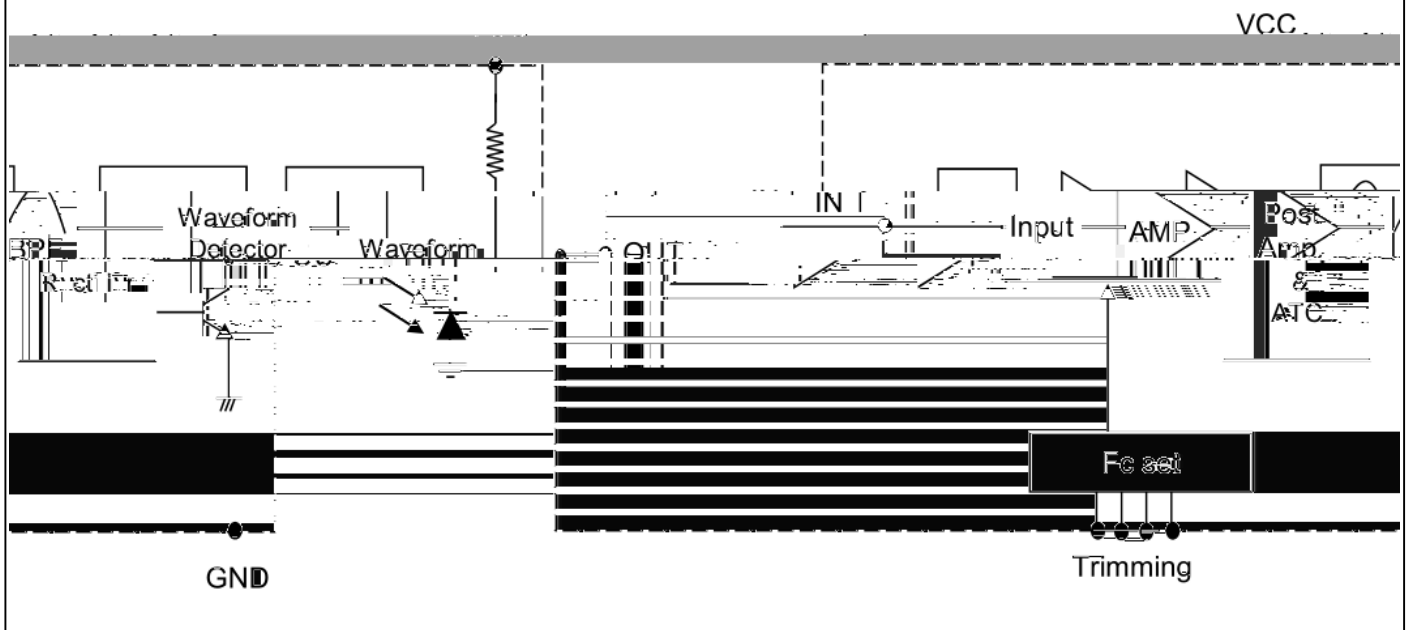
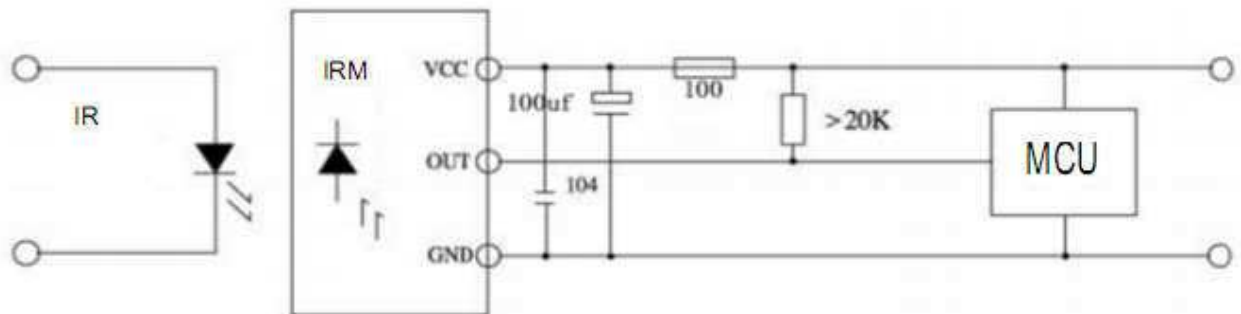


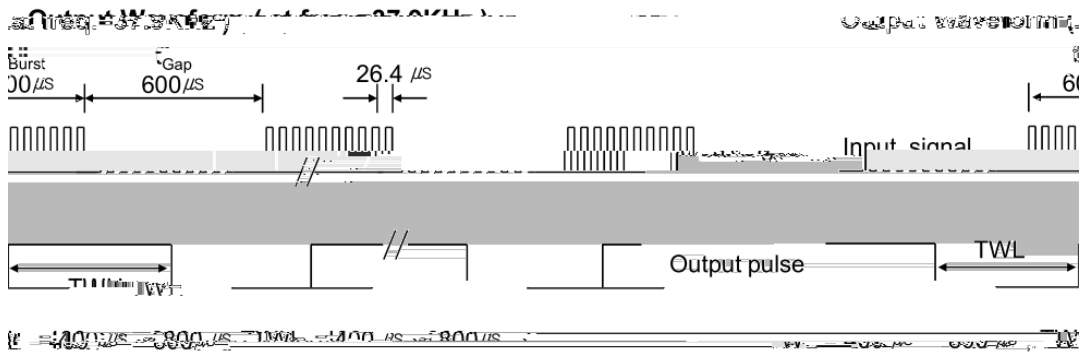
LIGHT



--	--	--	--

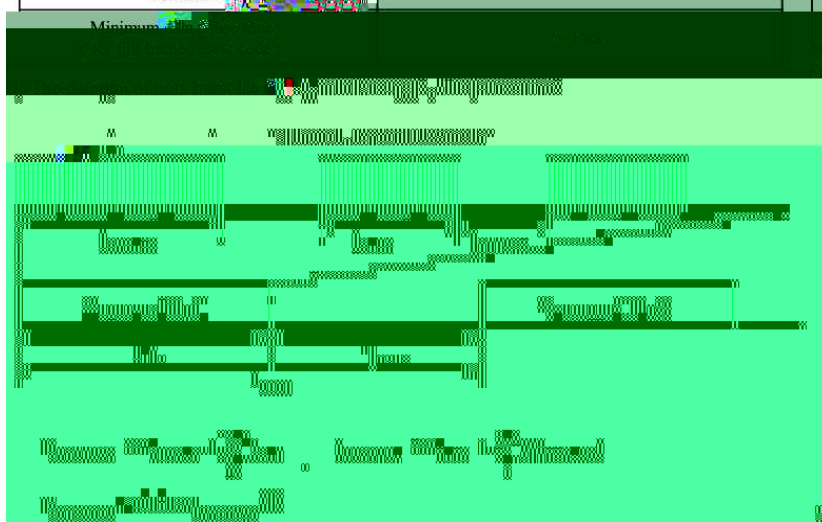
LIGHT





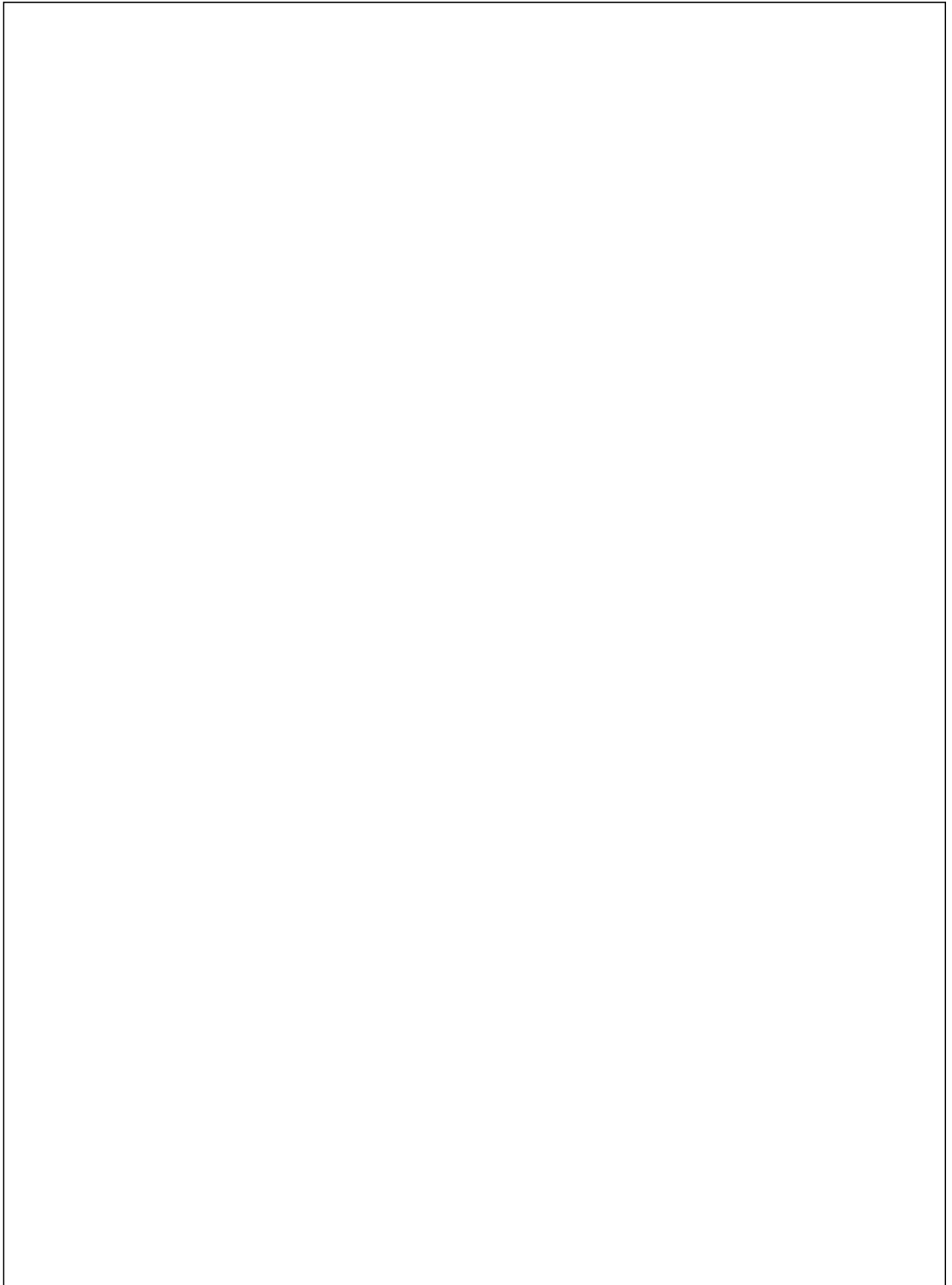
* $t_{pi} \geq 10/f_0$ is recommended for optimal function.

Minimum Burst Length t_{burst} (number of pulses per burst)	200us
Minimum Burst Gap time t_{burst_gap} (number of pulses per burst between two burst)	300us



	1.5k ,			

LIG



--	--	--	--

